

Product data sheet

Characteristics

9422A3

Operating mechanism, flange mounted, variable depth, handle mechanism, 4 inch handle, NEMA 1, 3R, 4 sheet steel and 12 enclosure



Product availability: Non-Stock - Not normally stocked in distribution facility

Price*: 167.80 USD



Main

Product or component type	Handle Mechanism
Product destination	All circuit breaker mechanisms Disconnect switches (30...200 A)

Complementary

Specificity of operator	Variable depth
Product destination	All circuit breaker mechanisms disconnect switches (30...200 A)
Product compatibility	NEMA 1/3/3R/4/12 enclosures
Length	4 In (101.60 mm)

Ordering and shipping details

Category	21732 - 9422
Discount Schedule	CP1
GTIN	00785901810339
Nbr. of units in pkg.	1
Package weight(Lbs)	2.66 Lb(US) (1.207 kg)
Returnability	No
Country of origin	MX

Packing Units

Unit Type of Package 1	PCE
Package 1 Height	1.80 In (4.572 cm)
Package 1 width	3.80 In (9.652 cm)
Package 1 Length	9.50 In (24.13 cm)

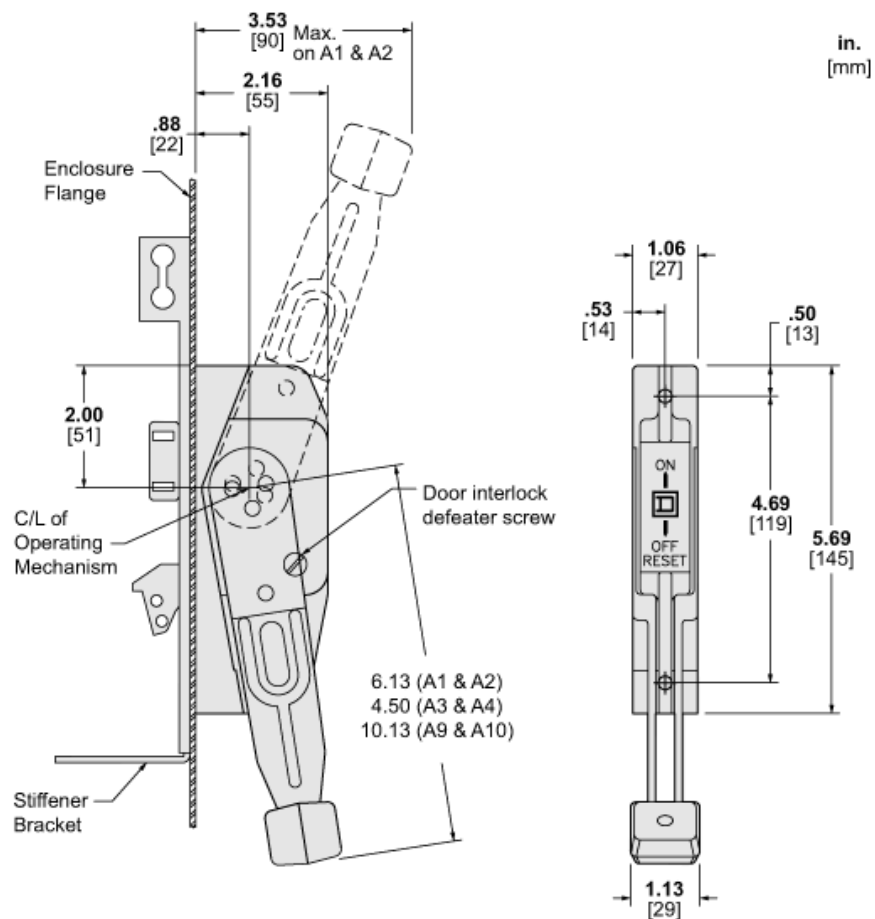
Offer Sustainability

California proposition 65	WARNING: This product can expose you to chemicals including: Lead and lead compounds, which is known to the State of California to cause cancer and birth defects or other reproductive harm. For more information go to www.P65Warnings.ca.gov
REACH Regulation	REACH Declaration
REACH free of SVHC	Yes
EU RoHS Directive	Compliant EU RoHS Declaration
Toxic heavy metal free	Yes
Mercury free	Yes
RoHS exemption information	Yes
China RoHS Regulation	China RoHS Declaration
PVC free	Yes

Contractual warranty

Warranty	18 months
----------	-----------

Approximate Dimensions



Product Life Status : **Commercialised**